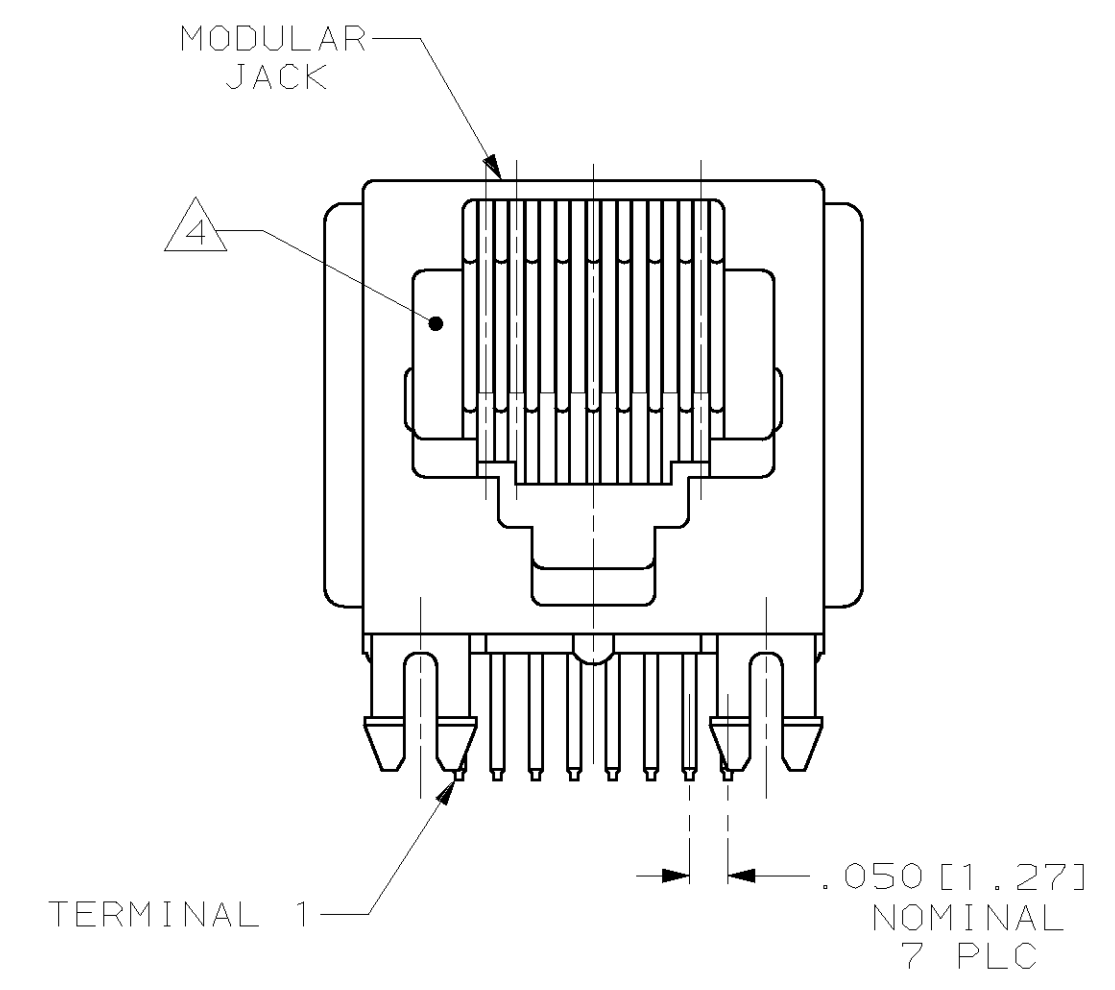
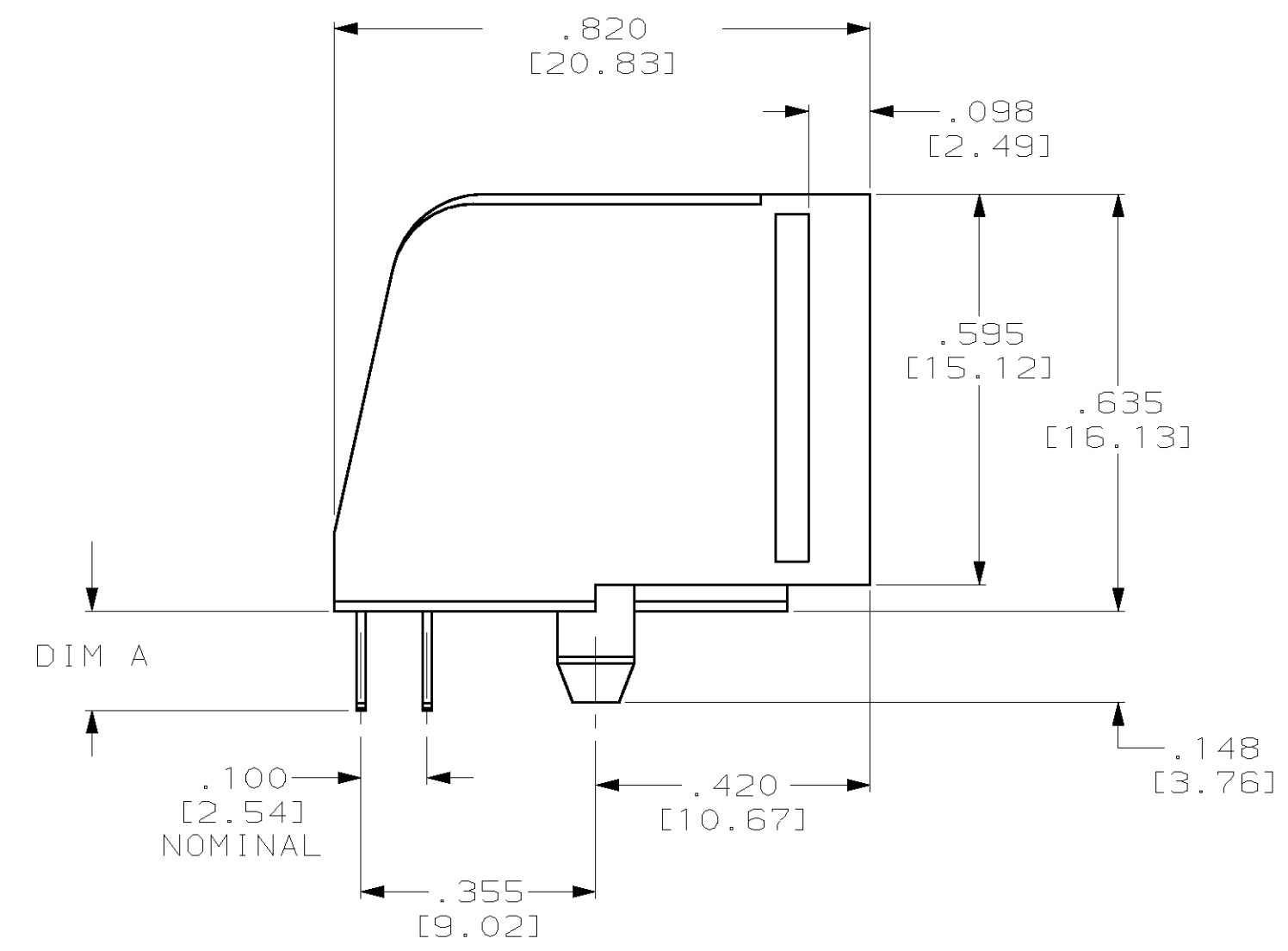
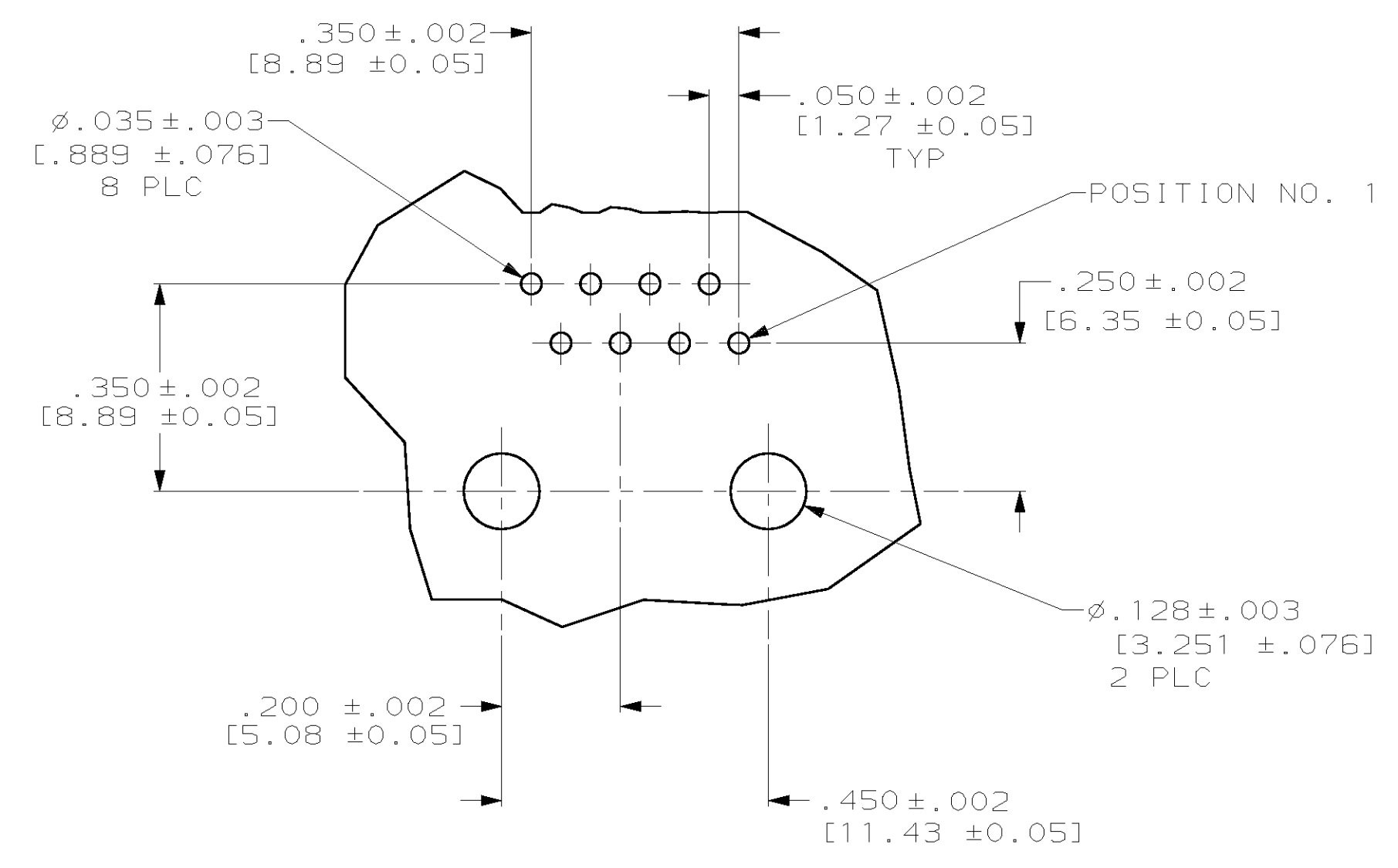
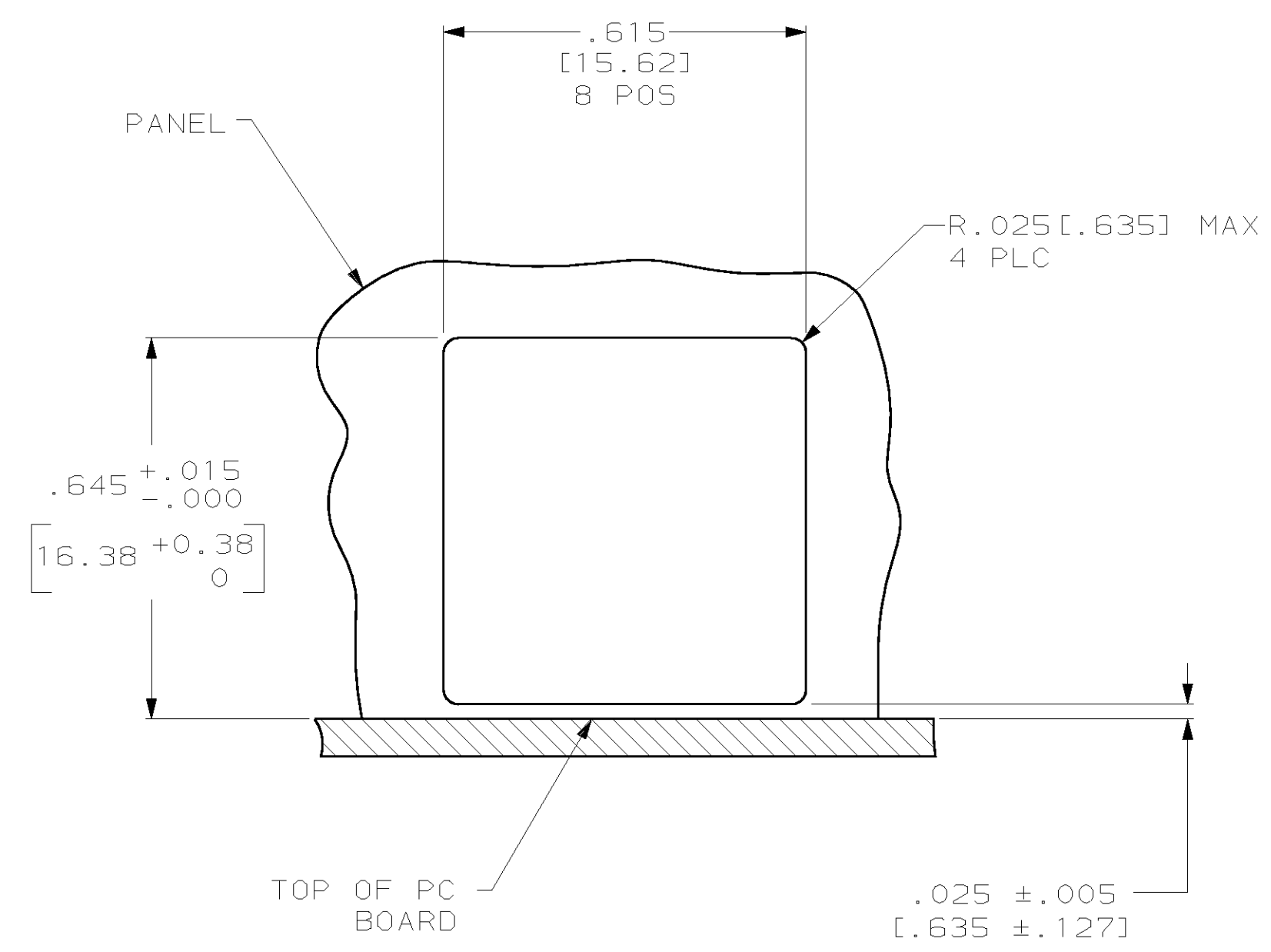
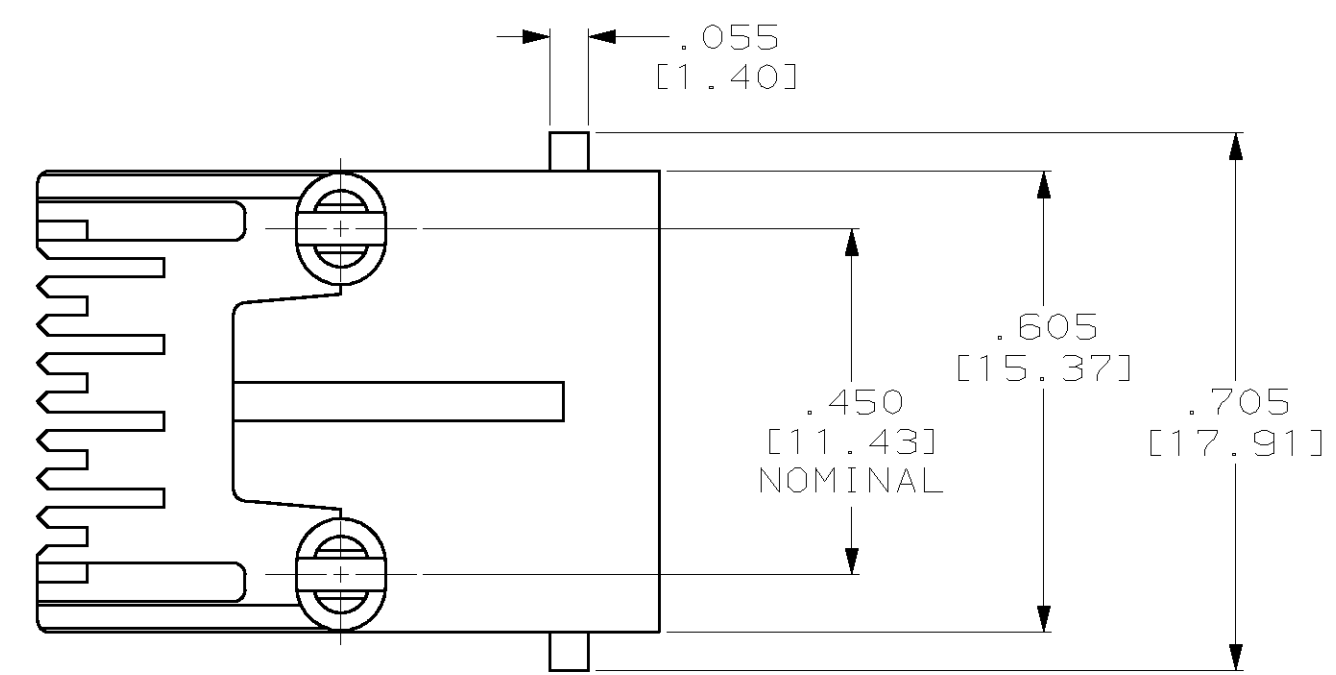


LOC		DIST		REVISIONS				
TR	LYR	DATE	OWN	APVD	DESCRIPTION	DATE	OWN	APVD
Z		20MAY02	DLD	BOK	REACTIVATED: -9; EC 0511-0065-02			



- ⚠ DIMENSIONS ARE MAXIMUM UNLESS OTHERWISE SPECIFIED.
- 2. DIMENSIONS IN BRACKETS [ ] ARE IN MILLIMETERS.
- ⚠ MATERIAL: HOUSING - PBT POLYESTER, BLACK. TERMINAL - PHOS-BRONZE PLATED WITH .000050 [1.27μm] THICK HARD GOLD IN LOCALIZED GOLD PLATE AREA AND .000080 [2.03μm] THICK TIN-LEAD IN SOLDER AREA OVER .000050 [1.27μm] THICK NICKEL UNDERPLATE.
- ⚠ CAVITY CONFORMS TO FCC RULES AND REGULATIONS PART 68 AND REA BULLETIN 345-81, PE-76 SPECIFICATION FOR MODULAR TELEPHONE HARDWARE.
- ⚠ BULK PACKAGED IN A TRAY.



SUGGESTED PRINTED CIRCUIT BOARD LAYOUT  
NONCOMPONENT SIDE SHOWN

DIM A	PACKAGED	TERMINALS	PART NUMBER
.10-.12 [2.54-3.05]	⚠	8	520251-9
.13-.17 [3.30-4.32]	⚠	8	520251-4

DIMENSIONS		TOLERANCES UNLESS OTHERWISE SPECIFIED		DWN		CHK		APVD		NAME	
INCHES [mm]											
0 PLC	±	⚠		S. GARRETT	05-10-95					AMP Incorporated	
1 PLC	±	⚠		N. JONES	5-23-95					Harrisburg, PA 17105-3608	
2 PLC	±	⚠		F. LAURER	5-30-95					MODULAR JACK ASSEMBLY, SIDE ENTRY, 8 POSITION, FLANGELESS, WITH PANEL STOPS	
3 PLC	±	⚠								SIZE	CAGE CODE
4 PLC	±	⚠								A1	00779
ANGLES	±	⚠								DRAWING NO	RESTRICTED TO
FINISH	±	⚠								C-520251	-
										SCALE	SHEET
										4:1	1 of 1
											REV
											Z